

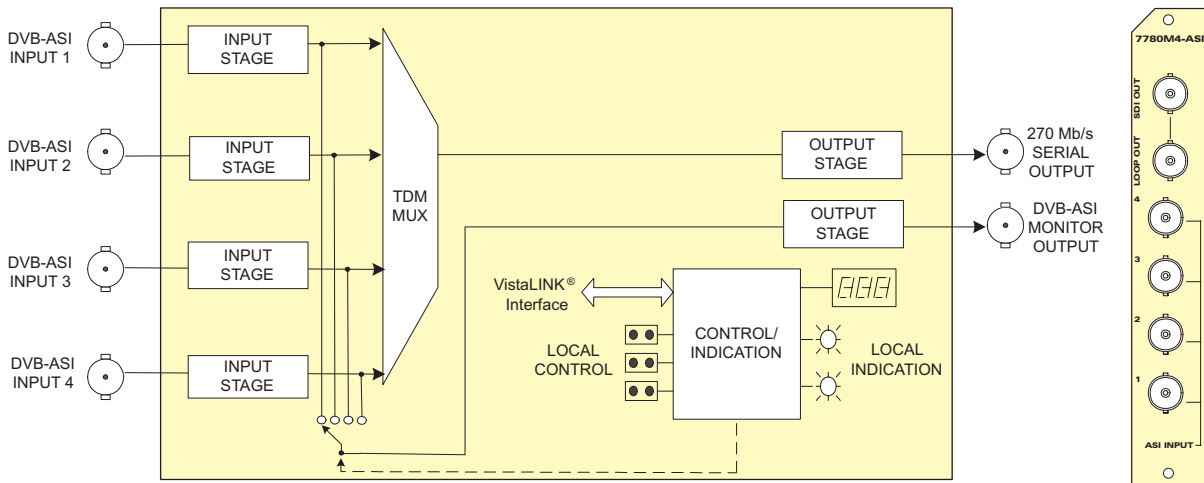
7780M4-ASI

Quad ASI TDM-Mux



► Features & Benefits

- Single card TDM multiplexer for four DVB-ASI transport streams
- Inputs may be MPTS or SPTS with a combined bandwidth of up to 210Mb/s
- Signal transport uninterrupted by loss of any/all DVB-ASI input feeds
- Comprehensive signal and card status monitoring via four digit card edge display or remotely through SNMP and VistaLINK®
- VistaLINK® capability is available when modules are used with the 3RU 7700FR-C frame and a 7700FC VistaLINK® Frame Controller module in slot 1 of the frame
- Fully hot-swappable from front of frame
- Output is a single 270Mb/s signal compatible with SMPTE 259M-C transport
- Monitor port output is user-selectable from the four inputs



► Specifications

ASI Input:		Output:	Physical:
Standard:	DVB-ASI: DVB TR 101 891-270	Standards:	350FR: 1
Number of inputs:	4 independent DVB-ASI 270Mb/s signals	Output:	7700FR-C: 1
Max Input Bitrate:	210Mb/s	Monitor:	7800FR: 1
Connector:	4 BNC per IEC 61169-8 Annex A	Total Active Bitrate:	
Return Loss:	> 15dB up to 270Mb/s	Number:	1 + 1 monitor
		Connector:	BNC per IEC 61169-8 Annex A
		Signal Level:	800mV nominal
		DC Offset:	0V ±0.5V
		Rise and Fall Time:	900ps nominal
		Overshoot:	< 10% of amplitude
		Return Loss:	> 15dB up to 270Mb/s
		Wide Band Jitter:	< 0.2 UI
		Electrical:	
		Voltage:	+12V DC
		Power:	10W
		Compliance:	
		Electrical Safety:	CSA Listed to UL 60065-03, IEC 60065
			Complies with CE Low voltage Directive
		EMI/RFI:	Complies with FCC Part 15, Class A
			EU EMC Directive

► Ordering Information

7780M4-ASI Quad ASI TDM-Mux (Companion unit to 7780D4-ASI)

Ordering Options Rear Plate must be specified at time of order
Eg: Model +3RU

Rear Plate Suffix:
+3RU 3RU Rear Plate for use with 350FR, 7700FR-C or 7800FR Multiframe
+1RU 1RU Rear Plate for use with 7701FR Multiframe
+SA Standalone Enclosure Rear Plate

Enclosures:
350FR
7700FR-C
7800FR
7801FR
7701FR
S7701FR

3RU Portable Multiframe which holds up to 7 single slot modules
 3RU Multiframe which holds up to 15 single slot modules
 3RU Multiframe which holds up to 15 single slot modules
 1RU Multiframe which holds up to 4 single or 2 dual slot modules
 1RU Multiframe which holds up to 3 single or dual slot modules
 Standalone enclosure